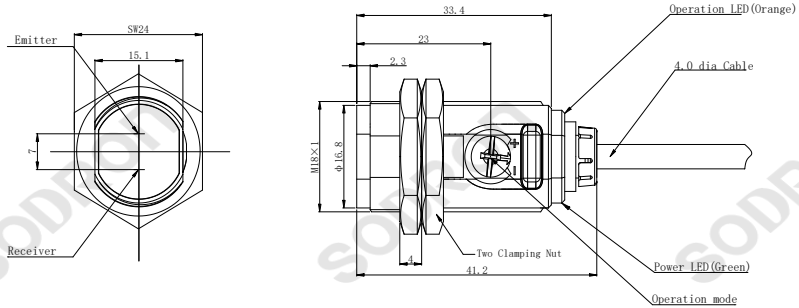




Dimension



Model	Technical parameters		
	Sensing method	Diffuse reflection	
PM18V-D□B□WR	Model	NPN	PM18V-D10BNWR
		PNP	PM18V-D10BPWR
	Sensing distance	10cm (Adjustable)	50cm (Adjustable)
Product Features	Standard target	White paper (100 mm × 100 mm)	White paper (200×200mm)
<ul style="list-style-type: none"> •Diffuse reflection •Adjustable sensing distance •IEC IP65 	Output mode	Light-ON/Dark-ON (wire switching)	
	Light source	630nm Red LED	
	Supply power	DC 12 ~ 24V ±10% , impulse (P-P) < 10%	
	Residual voltage	< 2V (Load Current: ≤100mA)	
	Current consumption	< 20mA	
	Load current	≤100mA	
Connection	Circuit protection	Power reverse direction connection protection	
NPN	Response time	<1ms	
	Indicator light	Output LED:Orange LED、Power/stable: Green LED	
	Connection	Cable 2m (PVC)	
	Ambient temperature	Work:-25 ~ +55°C; Store: -40 ~ +70°C (No dew condensation or icing allowed)	
	Ambient humidity	Work: 35 ~ 85%RH, Store: 35 ~ 95%RH, (No dew condensation)	
	Ambient illumination	Sunlight : < 10,000Lx, lamplight: < 3,000Lx	
	Withstand Voltage	1000 VAC, 50/60 Hz, 1 min.	
	Insulation resistance	> 20MΩ (DC500V megger) between current-carrying parts and case	
	Anti-vibration	10~55Hz double-amplitude 1.5mmX,Y,Z 2h	
	Anti-impact	500m/S ² X, Y,Z , directions for 3 times	
	Protection degree	IEC IP65	
	Housing	PBT+ABS	
Material	Lens Mount	ABS	
	Lens	PMMA	

